



LUMINA MATRIX™

SKU# LUM013

The new Lumina Matrix™ features (16) 7W Warm White (2,700K) <80 CRI LEDs packaged in perfectly aligned halogen looking reflectors, 15° beam producing a smooth wash or blinder effect, electronic 16bit dimming (0-100%), variable dimming curves, individual pixel control (1-16), chase macros with variable speed and fade control, flicker free operation for TV and FILM, side by side vertical and horizontal array rigging, multiple unit power linking, 150W max power consumption, remote device management protocol support, and a multi-voltage universal auto switching power supply (120-240v).

FEATURES

- (16) 7W Warm White (2,700K) <80 CRI LEDs**
- Perfectly Aligned Halogen Looking Reflectors**
- 15° Beam Producing a Smooth Wash or Blinder Effect**
- Electronic 16bit Dimming (0-100%) + Variable Curves**
- Individual Pixel Control (1-16)**
- Chase Macros with Variable Speed and Fade Control**
- Flicker Free Operation for TV and FILM**
- Side By Side Vertical and Horizontal Array Rigging**
- Multiple Unit Power Linking**
- 150W Max Power Consumption**
- Remote Device Management Protocol Support**



ELATION | LUMINA MATRIX™ | Product Specification Sheet

Specifications are subject to change without notice ©Elation Professional

Elation Professional USA | 6122 S. Eastern Ave. | Los Angeles, CA. 90040
323-582-3322 | 323-832-9142 fax | www.elationlighting.com | info@elationlighting.com

Elation Professional B.V. | Junostraat 2 | 6468 EW Kerkrade, Netherlands
+31 45 546 85 66 | +31 45 546 85 96 fax | www.elationlighting.eu | info@elationlighting.eu

PRODUCT SPECIFICATIONS

FEATURES

- 15° Beam Producing a Smooth Wash or Blinder Effect
- Electronic 16bit Dimming (0-100%)
- Variable Dimming Curves
- Individual Pixel Control (1-16)
- Flicker Free Operation for TV and FILM
- Side By Side Vertical and Horizontal Array Rigging
- Multiple Unit Power Linking
- Remote Device Management Protocol Support

SOURCE

(16) 7W Warm White (2,700K) <80CRI LEDs

PHOTOMETRIC DATA

Pending

EFFECTS

- Electronic 16bit Dimming: 0% - 100%
- Variable Dimming Curves (Stage, TV, Architectural, Theatre)
- Chase Macros with Variable Speed and Fade Control

CONTROL / CONNECTIONS

- (6) DMX Channel Modes (7 / 8 / 10 / 14/ 16 / 22)
- Remote Device Management Protocol Support
- (4) Button Control Panel
- LCD Menu Display
- 5pin DMX In/Out
- powerCON In/Out

SIZE / WEIGHT

- Length: 15.7" (400mm)
- Width: 3.1" (78.5mm)
- Vertical Height: 15.7" (400mm)
- Weight: 21.1 lbs. (9.8 kg)

ELECTRICAL / THERMAL

- AC 100-240V - 50/60Hz
- 150W Max Power Consumption
- Multiple Unit Power Linking:
- MAX 12pcs (AC100-120V) or MAX 21 pcs (220-240V)

APPROVALS / RATINGS

- CE Approved
- IP20 Rated

INSTALLATION

- Rigging: Side By Side Vertical and Horizontal Arrays
- Working Position: Any (360°)

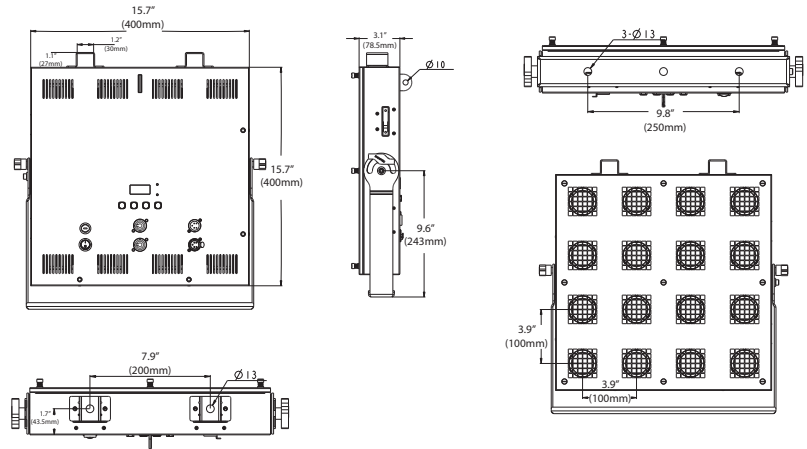
INCLUDED ITEMS

- (1) powerCON Cable

PHOTOMETRIC DATA

Pending

DIMENSIONAL DIAGRAM



OPTIONAL ACCESSORIES

ORDER CODE	ITEM
TRIGGER CLAMP	Heavy Duty Wrap Around Hook Style Clamp
AC5PDMX5PRO	5 ft. (1.5m) 5pin PRO DMX Cable
AC5PDMX10PRO	10 ft. (3m) 5pin PRO DMX Cable
AC5PDMX15PRO	15 ft. (4.5m) 5pin PRO DMX Cable
AC5PDMX25PRO	25 ft. (7.5m) 5pin PRO DMX Cable
AC5PDMX50PRO	50 ft. (15m) 5pin PRO DMX Cable
AC5PDMX100PRO	100 ft. (30m) 5pin PRO DMX Cable
PLC3	3' (1m) PowerCON PRO Link Cable
PLC6	6' (1.8m) PowerCON PRO Link Cable
PLC10	10' (3m) PowerCON PRO Link Cable
PLC15	15' (4.5m) PowerCON PRO Link Cable



Specifications are subject to change without notice ©Elation Professional

Elation Professional USA | 6122 S. Eastern Ave. | Los Angeles, CA. 90040
 323-582-3322 | 323-832-9142 fax | www.elationlighting.com | info@elationlighting.com

Elation Professional B.V. | Junostraat 2 | 6468 EW Kerkrade, Netherlands
 +31 45 546 85 66 | +31 45 546 85 96 fax | www.elationlighting.eu | info@elationlighting.eu